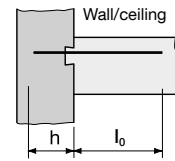
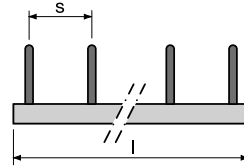
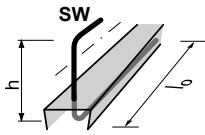


## Stabox® special design SW

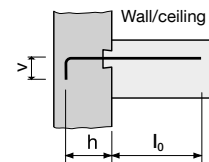
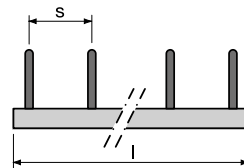
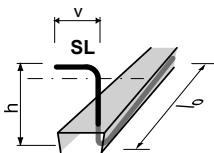
Art.-No.: STASW



Item	Rebar Ø mm	Hook spacing s (mm)	Lap length l <sub>0</sub> (mm)	Hook height h (mm)		Quantity pieces	Elem. length l (mm)	Σ mm

## Stabox® special design SL

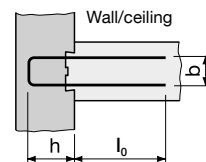
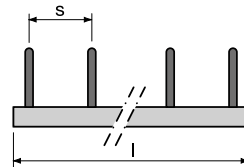
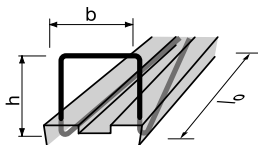
Art.-No.: STASL



Item	Rebar Ø mm	Hook spacing s (mm)	Lap length l <sub>0</sub> (mm)	Hook height h (mm)	Stirrup width v (mm)	Quantity pieces	Elem. length l (mm)	Σ mm

## Stabox® special design SB

Art.-No.: STASB



Item	Rebar Ø mm	Hook spacing s (mm)	Lap length l <sub>0</sub> (mm)	Hook height h (mm)	Stirrup width b (mm)	Quantity pieces	Elem. length l (mm)	Σ mm

Enquiry                       Order                       Date: \_\_\_\_\_

Company: \_\_\_\_\_

Contact: \_\_\_\_\_

Phone: \_\_\_\_\_ Fax: \_\_\_\_\_

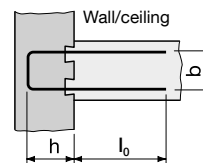
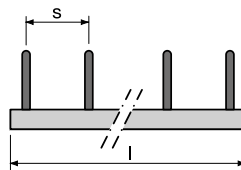
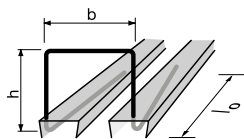
E-Mail: \_\_\_\_\_

Address: \_\_\_\_\_

Delivery address: \_\_\_\_\_

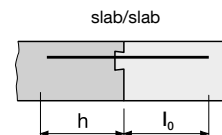
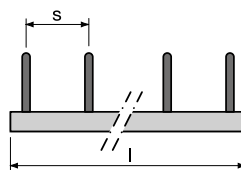
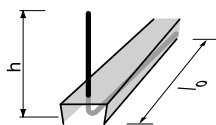
**>>> Please send your order form by info@ankers.nl**

**Stabox® special design SD** often used in connection with injection hose (water stop) **Art.-No.: STASD**



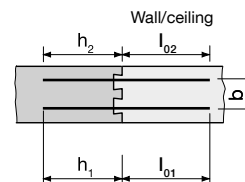
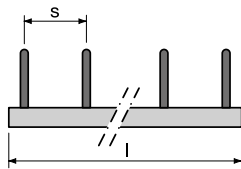
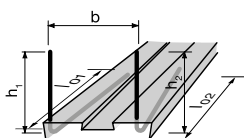
Item	Rebar Ø mm	Stirrup spacing s (mm)	Lap length l <sub>0</sub> (mm)	Stirrup height h (mm)	Stirrup width b (mm)	Quantity pieces	Elem. length l (mm)	Σ mm

**Stabox® special design SG** lap joint on both sides **Art.-No.: STASG**



Item	Rebar Ø mm	Hook spacing s (mm)	Lap length l <sub>0</sub> (mm)	Hook height h (mm)	Quantity pieces	Elem. length l (mm)	Σ mm

**Stabox® special design S2G** lap joint on both sides **Art.-No.: STAS2G**



Item	Rebar Ø mm	Hook spacing s (mm)	Length		Hook		b	Quantity pieces	Elem. length l (mm)	Σ mm
			l <sub>01</sub>	l <sub>02</sub>	h <sub>1</sub>	h <sub>2</sub>				

Enquiry                       Order                       Date: \_\_\_\_\_

Company: \_\_\_\_\_

Contact: \_\_\_\_\_

Phone: \_\_\_\_\_ Fax: \_\_\_\_\_

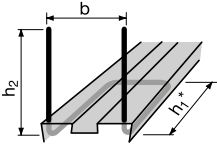
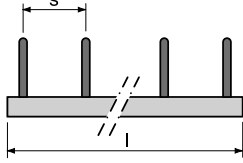
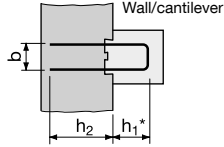
E-Mail: \_\_\_\_\_

Address: \_\_\_\_\_

Delivery address: \_\_\_\_\_

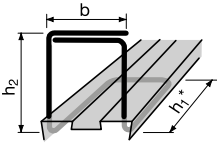
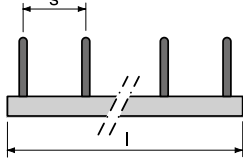
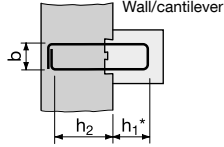
**>>> Please send your order form by info@ankers.nl**

**Stabox® special design SU** for cantilevers **Art.-No.: STASU**

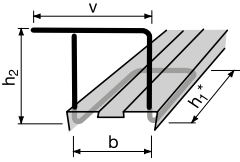
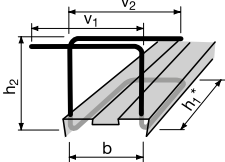
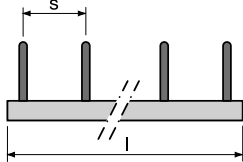
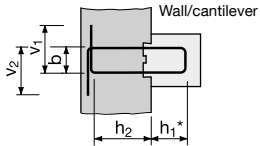
Item	Rebar Ø mm	Stirrup spacing s (mm)	Lap length h <sub>1</sub> (mm)	Stirrup height h <sub>2</sub> (mm)	Stirrup width b (mm)	Quantity pieces	Elem. length l (mm)	Σ mm

**Stabox® special design SK** for cantilevers **Art.-No.: STASK**

Item	Rebar Ø mm	Stirrup spacing s (mm)	Lap length h <sub>1</sub> (mm)	Stirrup height h <sub>2</sub> (mm)	Stirrup width b (mm)	Quantity pieces	Elem. length l (mm)	Σ mm

**Stabox® special design SK 1/SK 2** for cantilevers **Art.-No.: STASK1/STASK2**

Item	Rebar Ø mm	Stir. spacing s (mm)	Lap length h <sub>1</sub> (mm)	Stirrup height h <sub>2</sub> (mm)	Stirrup width b (mm)	Stirrup width v (mm)		Quantity pieces	Elem. lgth l (mm)	Σ mm
						v <sub>1</sub>	v <sub>2</sub>			

\* Due to reasons of production and installation, h<sub>1</sub> may vary by 10 to 20 mm for cantilever Stabox® types.

Enquiry                       Order                       Date: \_\_\_\_\_

Company: \_\_\_\_\_

Contact: \_\_\_\_\_

Phone: \_\_\_\_\_ Fax: \_\_\_\_\_

E-Mail: \_\_\_\_\_

Address: \_\_\_\_\_

Delivery address: \_\_\_\_\_

**>>> Please send your order form by info@ankers.nl**